



KB SERIES

FRENCH BALCONY

Available on www.kozzarailing.com and our mobile applications and social media accounts





EN: French Balcony System Profiles are shipped as a whole in the sizes of 5 mt with the need of a cover, and in a way which the anchoring holes are already opened, and in a manner ready to be assembled. French Balcony System Profiles is provided with the codes of (KB 5000-5050 5100).

KB French Balcony Series is designed in a way that is suitable for all kinds of mounting situations. Since the profiles are provided as a whole, in addition to their sturdiness and reliability, they could be applied in any sort of residential area (such as hotels, shopping malls, public projects, private villas, and homes).

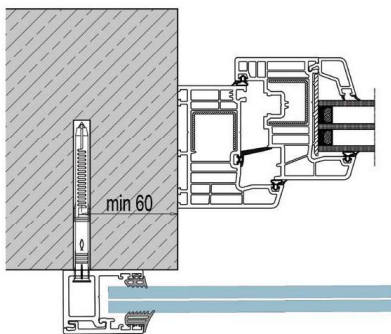
FR: Les profils du système de balcon à la française sont expédiés dans leur ensemble dans les tailles de 5 mt avec une couverture, et d'une manière dont les trous d'ancrage sont déjà ouverts, et d'une manière prêts à être assemblés. Les profils du système de balcon à la française sont fournis sous les codes KB 5000-5050 5100.

La série KB de balcon à la française est conçue de manière à convenir à toutes sortes de situations de montage. Étant donné que les profils sont fournis dans leur ensemble, en plus de leur robustesse et de leur fiabilité, ils pourraient être appliqués dans n'importe quel type de zone résidentielle (tels que les hôtels, les centres commerciaux, les projets publics, les villas privées et les maisons).

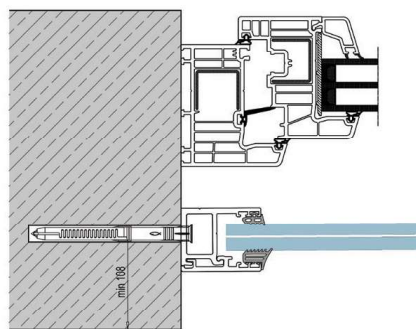
DE: Französische Balkonsystemprofile werden als Ganzes in den Größen von 5 m mit der Notwendigkeit einer Abdeckung und auf eine Weise geliefert, dass die Verankerungslöcher bereits geöffnet sind und bereit zum Zusammenbau sind. Französische Balkonsystemprofile werden mit den Codes (KB 5000-5050 5100) geliefert.

Die KB French Balcony Series ist so konzipiert, dass sie für alle Arten von Montagesituationen geeignet ist. Da die Profile als Ganzes bereitgestellt werden, können sie zusätzlich zu ihrer Robustheit und Zuverlässigkeit in jeder Art von Wohngebiet (wie Hotels, Einkaufszentren, öffentlichen Projekten, privaten Villen und Häusern) angewendet werden.

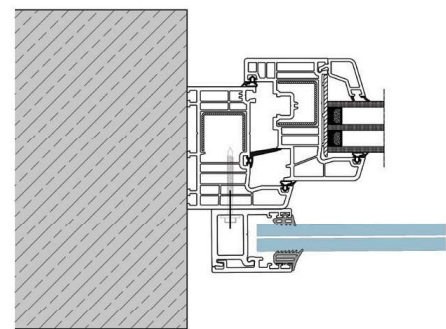
KB 5000



KB 5050



KB 5100



KB 5000 French Balcony Systems

EN: French Balcony System Profiles are shipped as a whole to the customers in the size of 5 mt with the need of a cover, and in a way which the mounting holes are already opened, and in a manner ready to be assembled. Since the profiles are designed as a whole, time is saved.

French Balcony System Profiles is provided with the codes of (KB 5000-5050-5100)

Profile series may be manufactured as a single piece and as a whole for any mill finish, bright anodized, matte anodized, satin anodized, and for any RAL coded colors.

FR: Les profilés du système de balcon à la française sont expédiés aux clients de façon couverte dans leur ensemble dans la taille de 5 mt, et d'une manière dont les trous de montage sont déjà ouverts, et d'une manière prêts à être assemblés. Puisque les profils sont conçus dans leur ensemble, cela fait gagner du temps. Les profils du système de balcon à la française sont fournis sous les codes KB 5000-5050-5100. La série de profilés peut être fabriquée en une seule pièce et dans son ensemble dans toute finition comme texture métallique, anodisé brillant, anodisé mat, anodisé satiné et dans toutes les couleurs codées RAL.

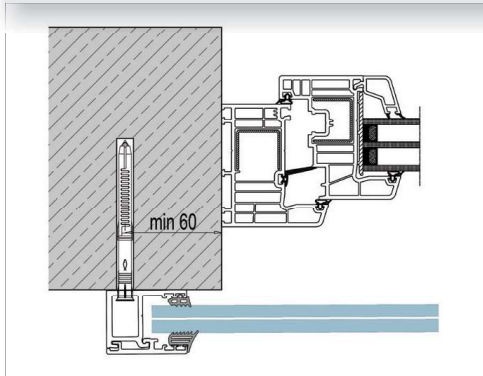
DE: Französische Balkensystemprofile werden als Ganzes in einer Größe von 5 m an die Kunden geliefert, wobei eine Abdeckung erforderlich ist und die Befestigungslöcher bereits geöffnet und montagefertig sind. Da die Profile als Ganzes entworfen werden, wird Zeit gespart.

Französische Balkensystemprofile werden mit den Codes (KB 5000-5050-5100) geliefert.

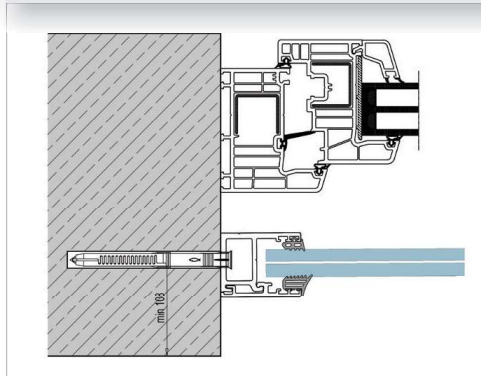
Die Profilerie kann als Einzelstück und als Ganzes für jedes Mühlenfinish, hell eloxiert, matt eloxiert, satiniert und für alle RAL-codierten Farben hergestellt werden.



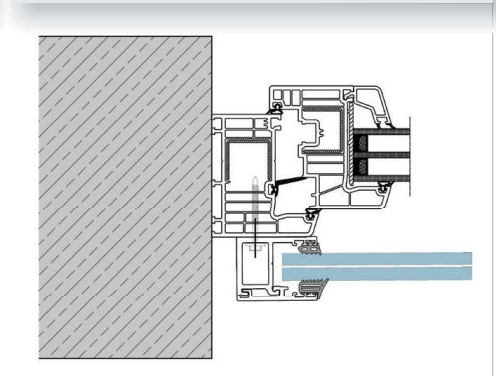
KB 5000

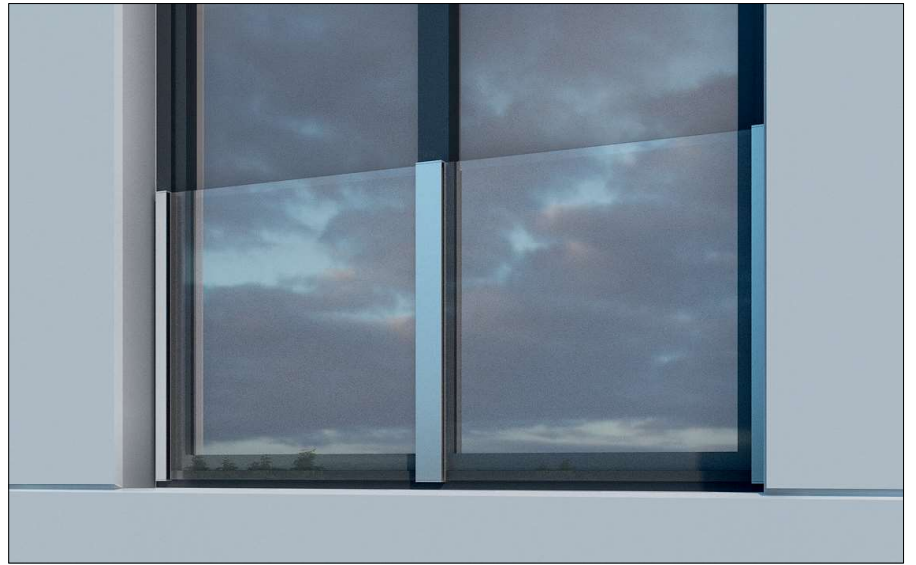


KB 5050

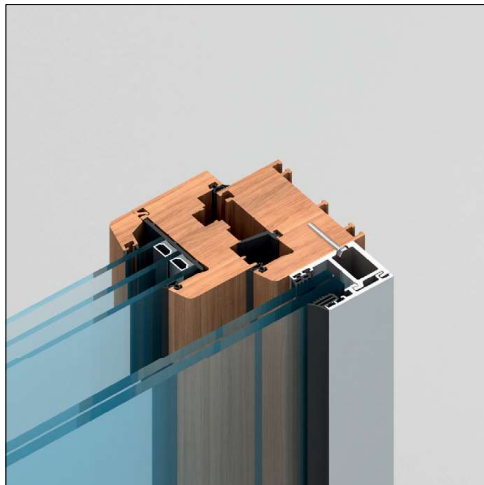


KB 5100

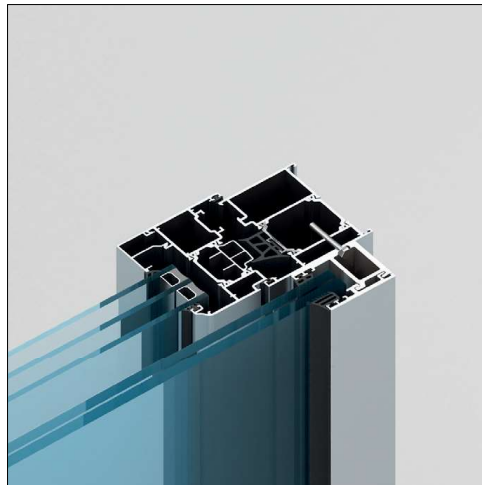




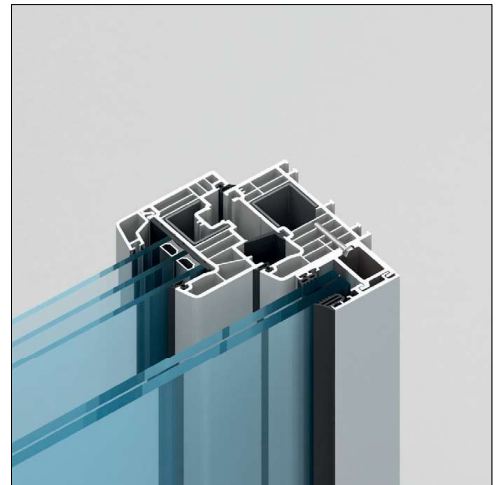
PREVIEW



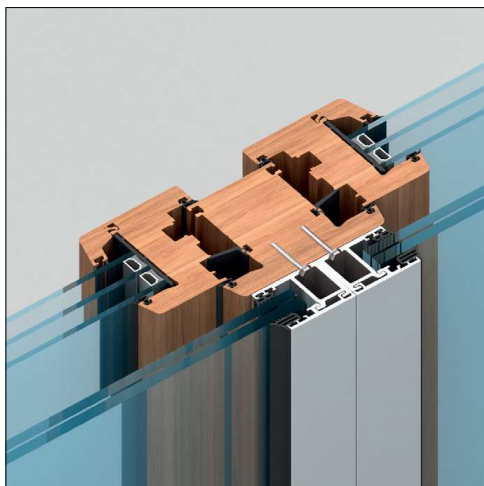
Wood



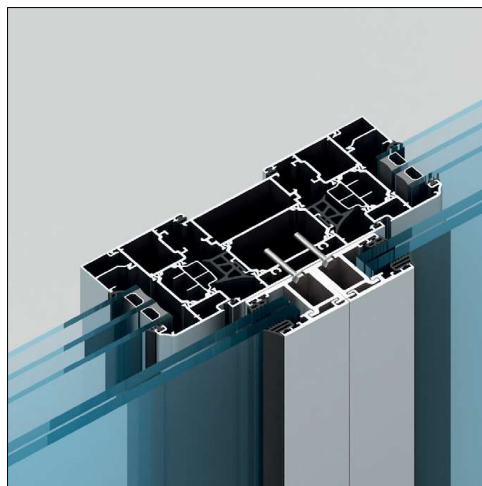
Aluminium



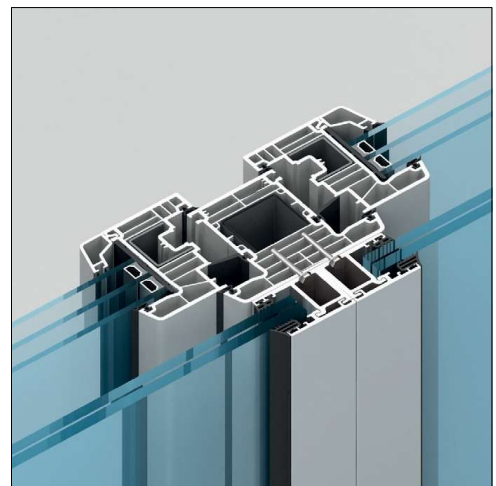
PVC



Wooden Double Sash Window

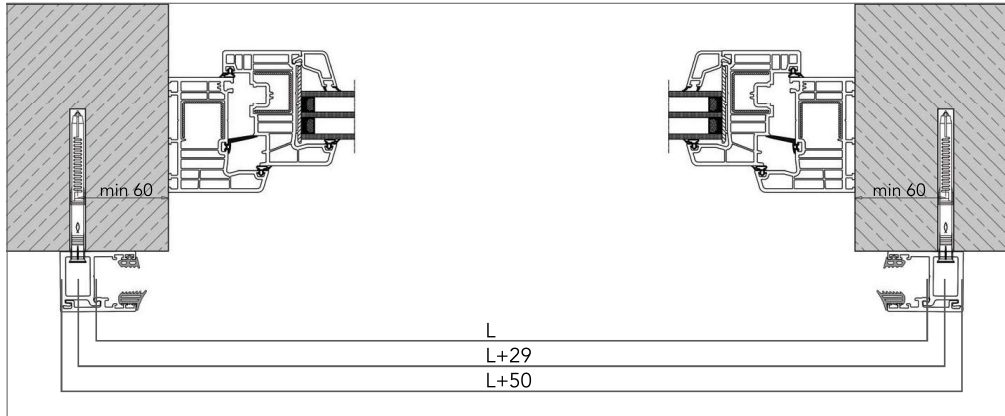


Aluminium Double Sash Window



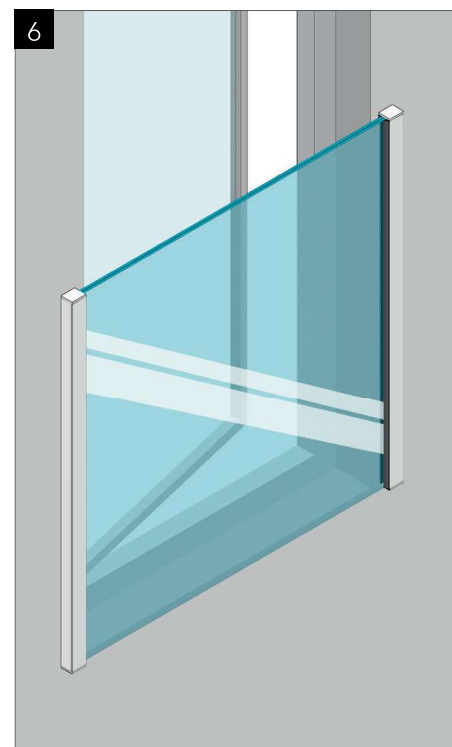
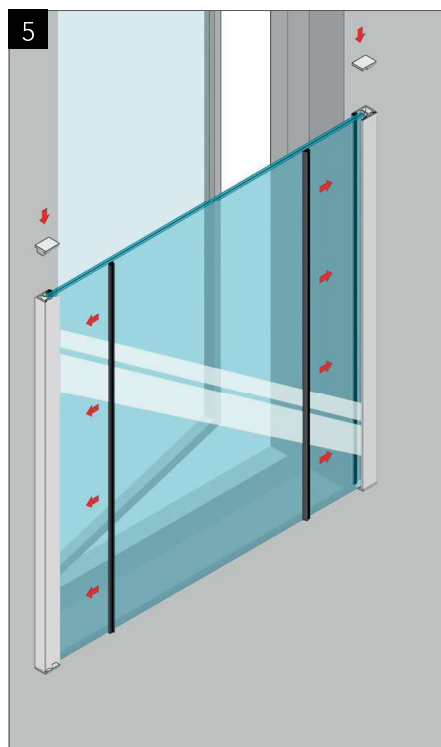
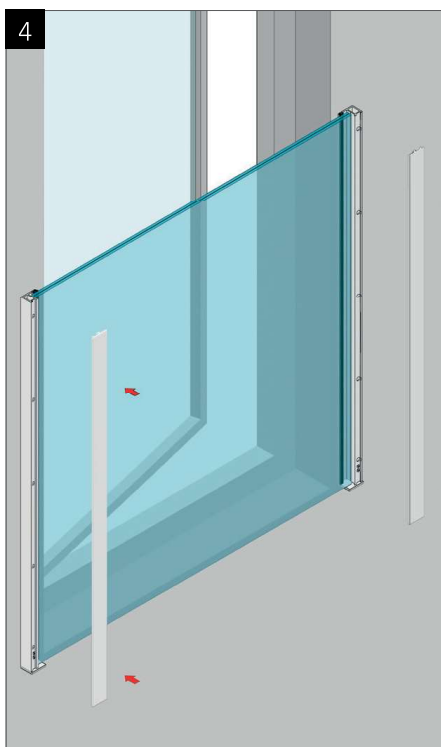
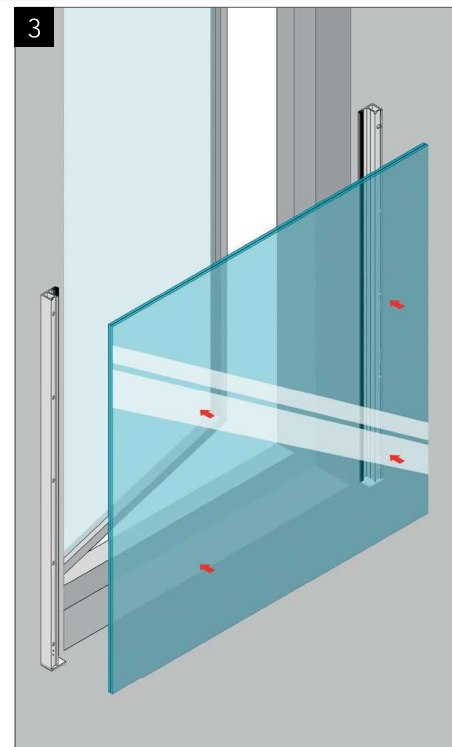
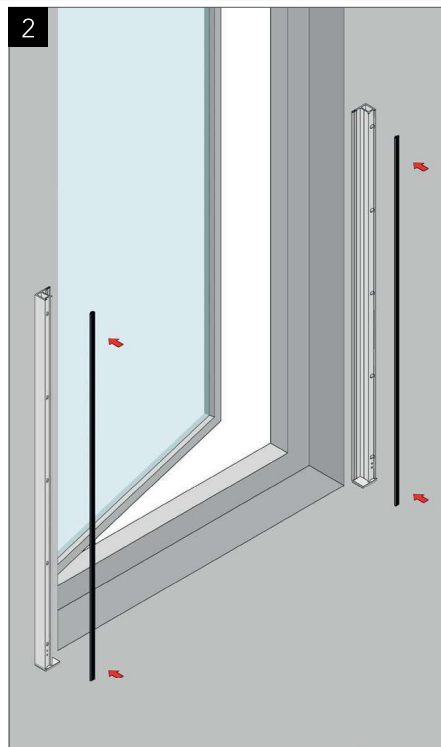
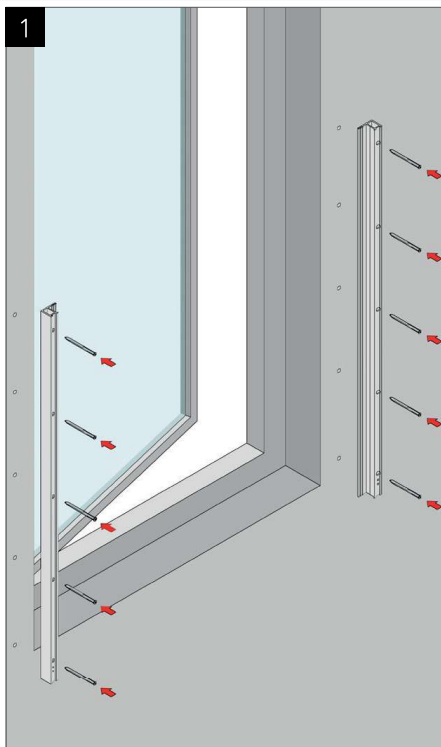
PVC Double Sash Window

KB 5000 COMPLETE SET



GLASS THICKNESS	MAX GLASS WIDTH (L)
10-11.52 MM	1000 MM
12-13.52 MM	1300 MM
16-17.52 MM	1600 MM
20-21.52 MM	3000 MM

INSTALLATION



KB 5000 COMPLETE SET

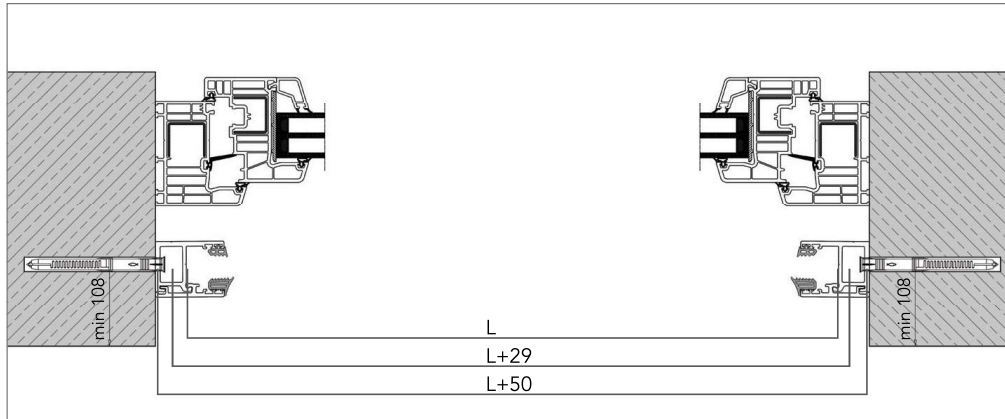
HEIGHT	GLASS THICKNESS	MILL FINISH	MAT ANODISE	BRIGHT ANODISE	STAINLESS STEEL EFFECT	RAL COLOURED
700 MM	10-11.52 MM	5007.010.10	5007.010.20	5007.010.30	5007.010.40	5007.010.50
	12-13.52 MM	5007.012.10	5007.012.20	5007.012.30	5007.012.40	5007.012.50
	16-17.52 MM	5007.016.10	5007.016.20	5007.016.30	5007.016.40	5007.016.50
	20-21.52 MM	5007.020.10	5007.020.20	5007.020.30	5007.020.40	5007.020.50
800 MM	10-11.52 MM	5008.010.10	5008.010.20	5008.010.30	5008.010.40	5008.010.50
	12-13.52 MM	5008.012.10	5008.012.20	5008.012.30	5008.012.40	5008.012.50
	16-17.52 MM	5008.016.10	5008.016.20	5008.016.30	5008.016.40	5008.016.50
	20-21.52 MM	5008.020.10	5008.020.20	5008.020.30	5008.020.40	5008.020.50
900 MM	10-11.52 MM	5009.010.10	5009.010.20	5009.010.30	5009.010.40	5009.010.50
	12-13.52 MM	5009.012.10	5009.012.20	5009.012.30	5009.012.40	5009.012.50
	16-17.52 MM	5009.016.10	5009.016.20	5009.016.30	5009.016.40	5009.016.50
	20-21.52 MM	5009.020.10	5009.020.20	5009.020.30	5009.020.40	5009.020.50
1000 MM	10-11.52 MM	5010.010.10	5010.010.20	5010.010.30	5010.010.40	5010.010.50
	12-13.52 MM	5010.012.10	5010.012.20	5010.012.30	5010.012.40	5010.012.50
	16-17.52 MM	5010.016.10	5010.016.20	5010.016.30	5010.016.40	5010.016.50
	20-21.52 MM	5010.020.10	5010.020.20	5010.020.30	5010.020.40	5010.020.50
1100 MM	10-11.52 MM	5011.010.10	5011.010.20	5011.010.30	5011.010.40	5011.010.50
	12-13.52 MM	5011.012.10	5011.012.20	5011.012.30	5011.012.40	5011.012.50
	16-17.52 MM	5011.016.10	5011.016.20	5011.016.30	5011.016.40	5011.016.50
	20-21.52 MM	5011.020.10	5011.020.20	5011.020.30	5011.020.40	5011.020.50
1200MM	10-11.52 MM	5012.010.10	5012.010.20	5012.010.30	5012.010.40	5012.010.50
	12-13.52 MM	5012.012.10	5012.012.20	5012.012.30	5012.012.40	5012.012.50
	16-17.52 MM	5012.016.10	5012.016.20	5012.016.30	5012.016.40	5012.016.50
	20-21.52 MM	5012.020.10	5012.020.20	5012.020.30	5012.020.40	5012.020.50

KB 5000 ANCHOR LOCATIONS



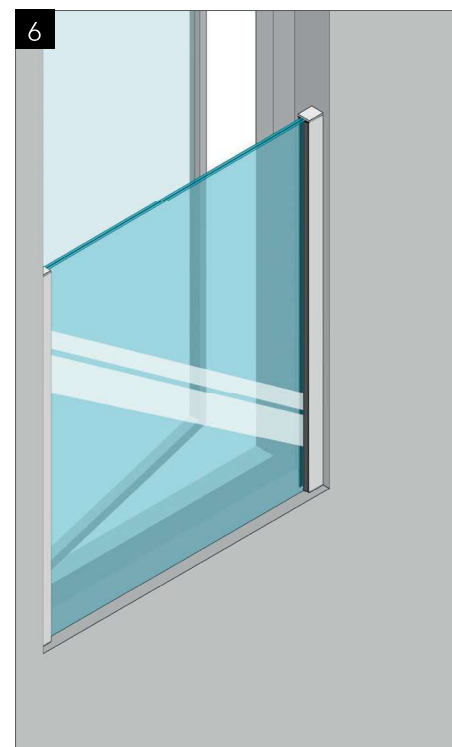
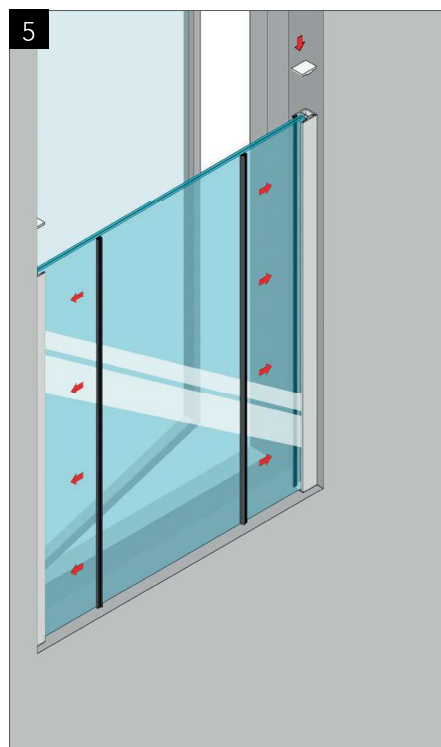
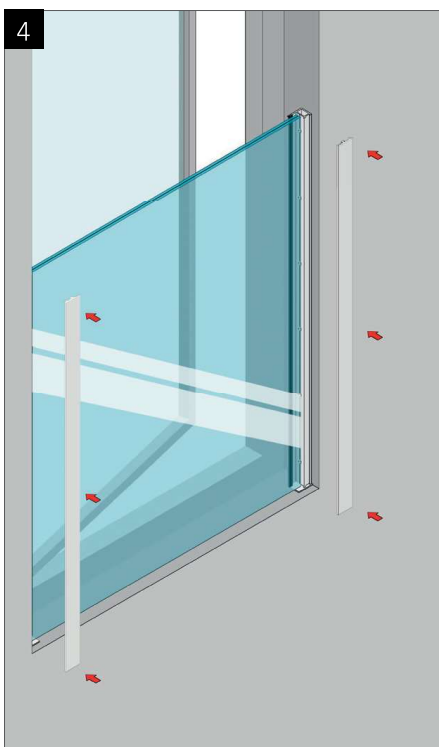
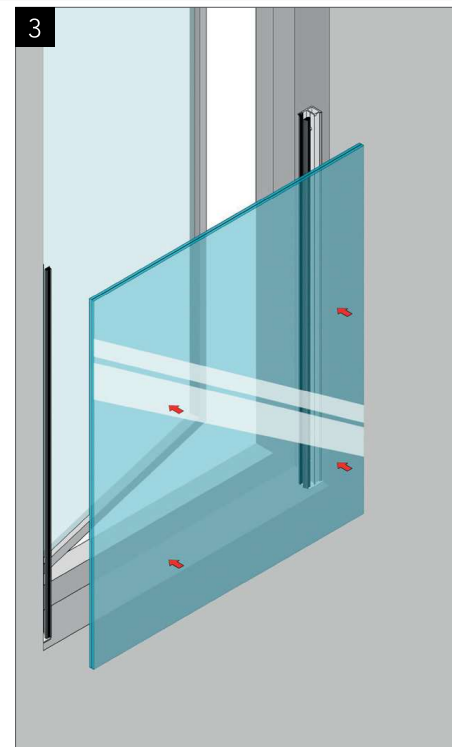
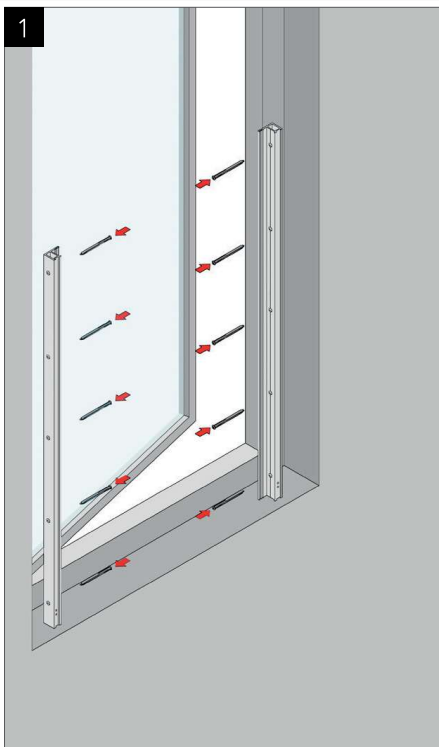
GLASS HEIGHT (H)	700 MM	800 MM	900 MM	1000 MM	1100 MM	1200 MM
A	50	50	50	50	50	50
B	200	175	200	180	166	157
C	200	175	200	180	166	157
D	200	175	200	180	167	157
E	-	175	200	180	167	157
F	-	-	-	180	167	157
G	-	-	-	-	167	157
I	-	-	-	-	-	158

KB 5050 COMPLETE SET



GLASS THICKNESS	MAX GLASS WIDTH (L)
10-11.52 MM	1000 MM
12-13.52 MM	1300 MM
16-17.52 MM	1600 MM
20-21.52 MM	3000 MM

INSTALLATION



KB 5050 COMPLETE SET

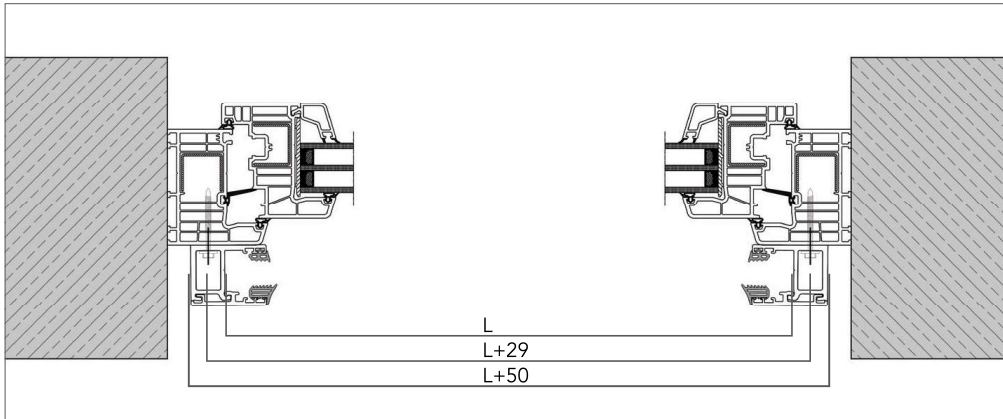
HEIGHT	GLASS THICKNESS	MILL FINISH	MAT ANODISE	BRIGHT ANODISE	STAINLESS STEEL EFFECT	RAL COLOURED
700 MM	10-11.52 MM	5057.010.10	5057.010.20	5057.010.30	5057.010.40	5057.010.50
	12-13.52 MM	5057.012.10	5057.012.20	5057.012.30	5057.012.40	5057.012.50
	16-17.52 MM	5057.016.10	5057.016.20	5057.016.30	5057.016.40	5057.016.50
	20-21.52 MM	5057.020.10	5057.020.20	5057.020.30	5057.020.40	5057.020.50
800 MM	10-11.52 MM	5058.010.10	5058.010.20	5058.010.30	5058.010.40	5058.010.50
	12-13.52 MM	5058.012.10	5058.012.20	5058.012.30	5058.012.40	5058.012.50
	16-17.52 MM	5058.016.10	5058.016.20	5058.016.30	5058.016.40	5058.016.50
	20-21.52 MM	5058.020.10	5058.020.20	5058.020.30	5058.020.40	5058.020.50
900 MM	10-11.52 MM	5059.010.10	5059.010.20	5059.010.30	5059.010.40	5059.010.50
	12-13.52 MM	5059.012.10	5059.012.20	5059.012.30	5059.012.40	5059.012.50
	16-17.52 MM	5059.016.10	5059.016.20	5059.016.30	5059.016.40	5059.016.50
	20-21.52 MM	5059.020.10	5059.020.20	5059.020.30	5059.020.40	5059.020.50
1000 MM	10-11.52 MM	5060.010.10	5060.010.20	5060.010.30	5060.010.40	5060.010.50
	12-13.52 MM	5060.012.10	5060.012.20	5060.012.30	5060.012.40	5060.012.50
	16-17.52 MM	5060.016.10	5060.016.20	5060.016.30	5060.016.40	5060.016.50
	20-21.52 MM	5060.020.10	5060.020.20	5060.020.30	5060.020.40	5060.020.50
1100 MM	10-11.52 MM	5061.010.10	5061.010.20	5061.010.30	5061.010.40	5061.010.50
	12-13.52 MM	5061.012.10	5061.012.20	5061.012.30	5061.012.40	5061.012.50
	16-17.52 MM	5061.016.10	5061.016.20	5061.016.30	5061.016.40	5061.016.50
	20-21.52 MM	5061.020.10	5061.020.20	5061.020.30	5061.020.40	5061.020.50
1200MM	10-11.52 MM	5062.010.10	5062.010.20	5062.010.30	5062.010.40	5062.010.50
	12-13.52 MM	5062.012.10	5062.012.20	5062.012.30	5062.012.40	5062.012.50
	16-17.52 MM	5062.016.10	5062.016.20	5062.016.30	5062.016.40	5062.016.50
	20-21.52 MM	5062.020.10	5062.020.20	5062.020.30	5062.020.40	5062.020.50

KB 5050 ANCHOR LOCATIONS



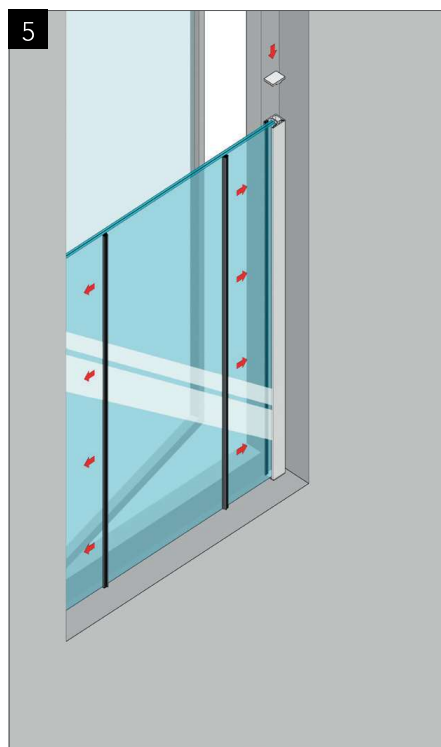
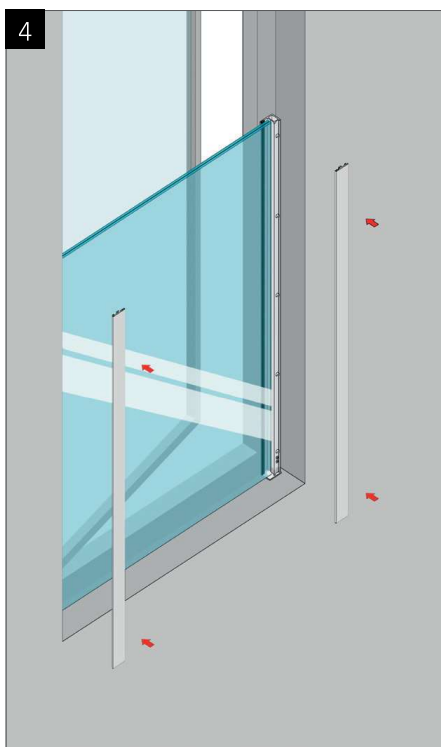
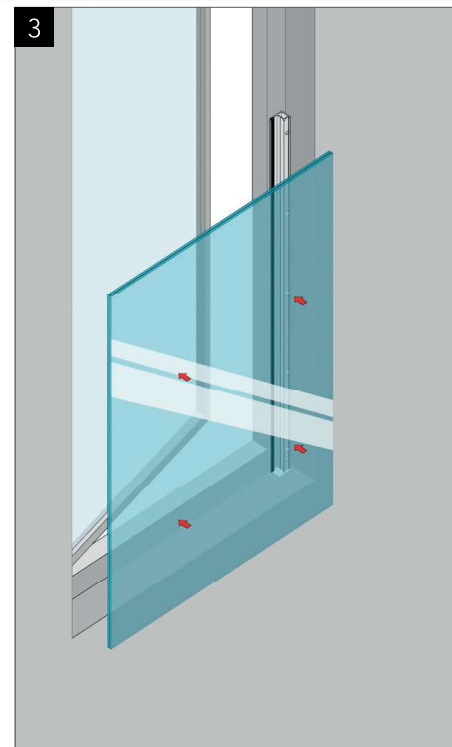
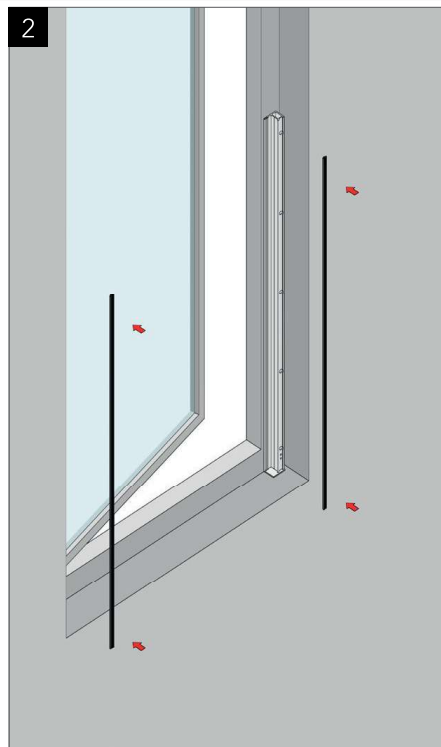
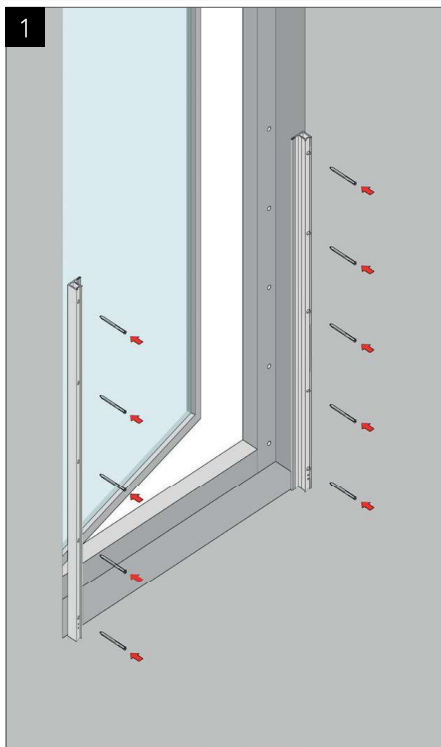
GLASS HEIGHT (H)	700 MM	800 MM	900 MM	1000 MM	1100 MM	1200 MM
A	50	50	50	50	50	50
B	200	175	200	180	166	157
C	200	175	200	180	166	157
D	200	175	200	180	167	157
E	-	175	200	180	167	157
F	-	-	-	180	167	157
G	-	-	-	-	167	157
I	-	-	-	-	-	158

KB 5100 COMPLETE SET



GLASS THICKNESS	MAX GLASS WIDTH (L)
10-11.52 MM	1000 MM
12-13.52 MM	1300 MM
16-17.52 MM	1600 MM
20-21.52 MM	3000 MM

INSTALLATION



KB 5100 COMPLETE SET

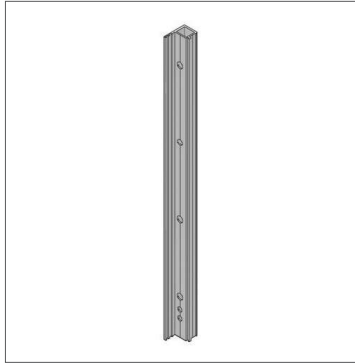
HEIGHT	GLASS THICKNESS	MILL FINISH	MAT ANODISE	BRIGHT ANODISE	STAINLESS STEEL EFFECT	RAL COLOURED
700 MM	10-11.52 MM	5107.010.10	5107.010.20	5107.010.30	5107.010.40	5107.010.50
	12-13.52 MM	5107.012.10	5107.012.20	5107.012.30	5107.012.40	5107.012.50
	16-17.52 MM	5107.016.10	5107.016.20	5107.016.30	5107.016.40	5107.016.50
	20-21.52 MM	5107.020.10	5107.020.20	5107.020.30	5107.020.40	5107.020.50
800 MM	10-11.52 MM	5108.010.10	5108.010.20	5108.010.30	5108.010.40	5108.010.50
	12-13.52 MM	5108.012.10	5108.012.20	5108.012.30	5108.012.40	5108.012.50
	16-17.52 MM	5108.016.10	5108.016.20	5108.016.30	5108.016.40	5108.016.50
	20-21.52 MM	5108.020.10	5108.020.20	5108.020.30	5108.020.40	5108.020.50
900 MM	10-11.52 MM	5109.010.10	5109.010.20	5109.010.30	5109.010.40	5109.010.50
	12-13.52 MM	5109.012.10	5109.012.20	5109.012.30	5109.012.40	5109.012.50
	16-17.52 MM	5109.016.10	5109.016.20	5109.016.30	5109.016.40	5109.016.50
	20-21.52 MM	5109.020.10	5109.020.20	5109.020.30	5109.020.40	5109.020.50
1000 MM	10-11.52 MM	5110.010.10	5110.010.20	5110.010.30	5110.010.40	5110.010.50
	12-13.52 MM	5110.012.10	5110.012.20	5110.012.30	5110.012.40	5110.012.50
	16-17.52 MM	5110.016.10	5110.016.20	5110.016.30	5110.016.40	5110.016.50
	20-21.52 MM	5110.020.10	5110.020.20	5110.020.30	5110.020.40	5110.020.50
1100 MM	10-11.52 MM	5111.010.10	5111.010.20	5111.010.30	5111.010.40	5111.010.50
	12-13.52 MM	5111.012.10	5111.012.20	5111.012.30	5111.012.40	5111.012.50
	16-17.52 MM	5111.016.10	5111.016.20	5111.016.30	5111.016.40	5111.016.50
	20-21.52 MM	5111.020.10	5111.020.20	5111.020.30	5111.020.40	5111.020.50
1200MM	10-11.52 MM	5112.010.10	5112.010.20	5112.010.30	5112.010.40	5112.010.50
	12-13.52 MM	5112.012.10	5112.012.20	5112.012.30	5112.012.40	5112.012.50
	16-17.52 MM	5112.016.10	5112.016.20	5112.016.30	5112.016.40	5112.016.50
	20-21.52 MM	5112.020.10	5112.020.20	5112.020.30	5112.020.40	5112.020.50

KB 5100 ANCHOR LOCATIONS



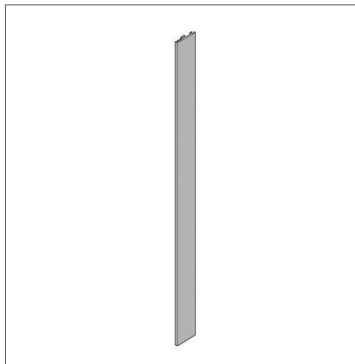
GLASS HEIGHT (H)	700 MM	800 MM	900 MM	1000 MM	1100 MM	1200 MM
A	50	50	50	50	50	50
B	200	175	200	180	166	157
C	200	175	200	180	166	157
D	200	175	200	180	167	157
E	-	175	200	180	167	157
F	-	-	-	180	167	157
G	-	-	-	-	167	157
I	-	-	-	-	-	158

TOP MOUNTING



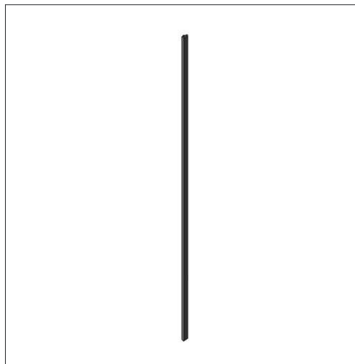
KB 5300

LENGHT	MILL FINISH	MAT ANODISE	BRIGHT ANODISE	STAINLESS STEEL EFFECT	RAL COLOURED
5000 mm	5300.500.10	5300.500.20	5300.500.30	5300.500.40	5300.500.50



KB 5350

LENGHT	MILL FINISH	MAT ANODISE	BRIGHT ANODISE	STAINLESS STEEL EFFECT	RAL COLOURED
5000 mm	5350.500.10	5350.500.20	5350.500.30	5350.500.40	5350.500.50



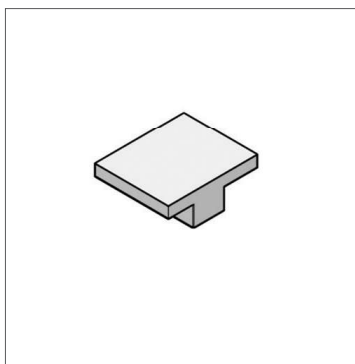
KB 5500 LEFT GASKET

	GLASS SIZE
1000 mm	5500.010.00
	5500.012.00
	5500.016.00
	5500.020.00



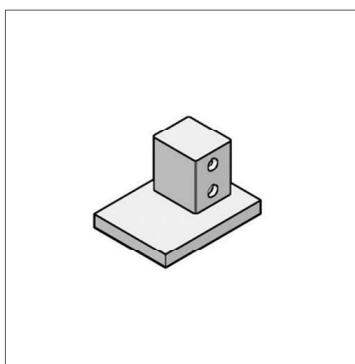
KB 5500 RIGHT GASKET

	GLASS SIZE
1000 mm	5550.010.00
	5550.012.00
	5550.016.00
	5550.020.00



KB 5700 (PLASTIC)

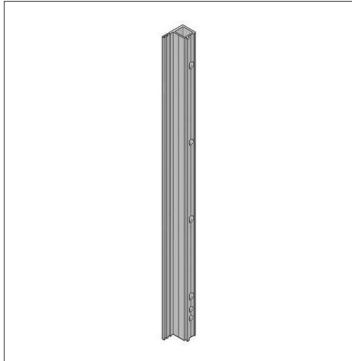
CODE	MILL FINISH	MAT ANODISE	BRIGHT ANODISE	STAINLESS STEEL EFFECT	RAL COLOURED
KB 5700	5700.000.10	5700.000.20	5700.000.30	5700.000.40	5700.000.50



KB 5750 (ALUMINUM)

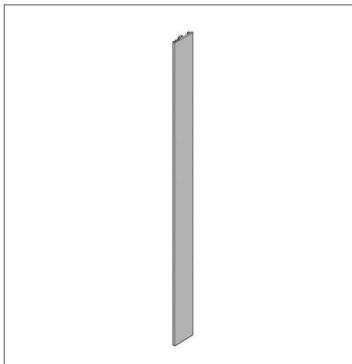
CODE	MILL FINISH	MAT ANODISE	BRIGHT ANODISE	STAINLESS STEEL EFFECT	RAL COLOURED
KB 5750	5750.000.10	5750.000.20	5750.000.30	5750.000.40	5750.000.50

SIDE MOUNTING



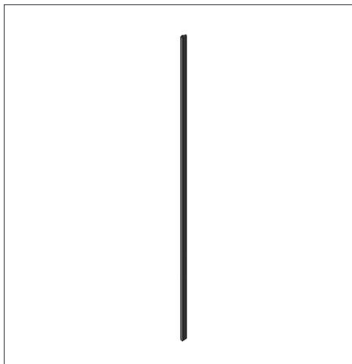
KB 5400

LENGHT	MILL FINISH	MAT ANODISE	BRIGHT ANODISE	STAINLESS STEEL EFFECT	RAL COLOURED
5000 mm	5400.500.10	5400.500.20	5400.500.30	5400.500.40	5400.500.50



KB 5350

LENGHT	MILL FINISH	MAT ANODISE	BRIGHT ANODISE	STAINLESS STEEL EFFECT	RAL COLOURED
5000 mm	5350.500.10	5350.500.20	5350.500.30	5350.500.40	5350.500.50



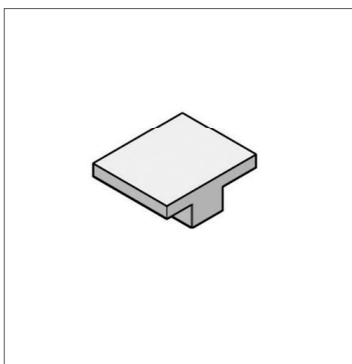
KB 5500 LEFT GASKET

	GLASS SIZE
1000 mm	5500.010.00
	5500.012.00
	5500.016.00
	5500.020.00



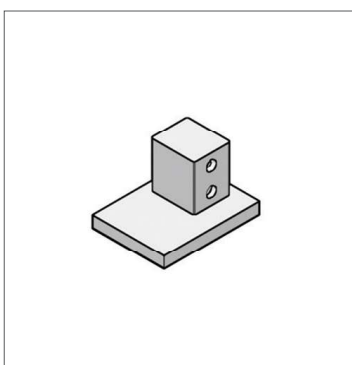
KB 5550 RIGHT GASKET

	GLASS SIZE
1000 mm	5550.010.00
	5550.012.00
	5550.016.00
	5550.020.00



KB 5700 (PLASTIC)

CODE	MILL FINISH	MAT ANODISE	BRIGHT ANODISE	STAINLESS STEEL EFFECT	RAL COLOURED
KB 5700	5700.000.10	5700.000.20	5700.000.30	5700.000.40	5700.000.50



KB 5750 (ALUMINUM)

CODE	MILL FINISH	MAT ANODISE	BRIGHT ANODISE	STAINLESS STEEL EFFECT	RAL COLOURED
KB 5750	5750.000.10	5750.000.20	5750.000.30	5750.000.40	5750.000.50